



EFFORTLESS
PERFECTION

BM80/100

The **BM80 & 100** - the perfect choice for busier environments, with over 100 cups per day capacity.



With the ability to amend pour sequencing to improve speed of service, this machine really is the ultimate solution for any setting.



Benefitting from a wide variety of menu options and cup sizes, which are easily selected from the intuitive 10-inch interface, enables users to fulfil their preferences. A reliable, high-performance and energy efficient machine for truly effortless perfection.



INCREASED CAPACITY

High capacity - large 6ltr water tank (BM100) for uninterrupted service.

10" Colour touchscreen display, with over 20 programmable beverage options.



HIGH QUALITY BREWING

2 Customisable operator modes. Easily programmable drink options. Create your own, personal menu choices.



FRESH MILK SYSTEM

Simultaneous coffee and milk/foam dispense for increased speed of service.

Innovative Steam Tech Pro milk foam system delivers high quality beverages.

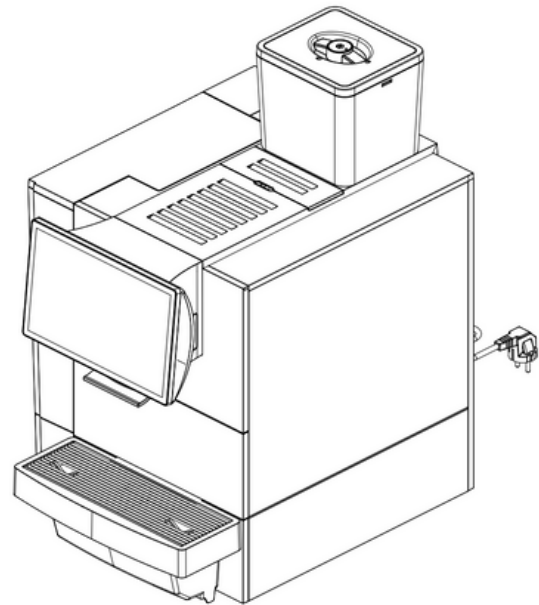
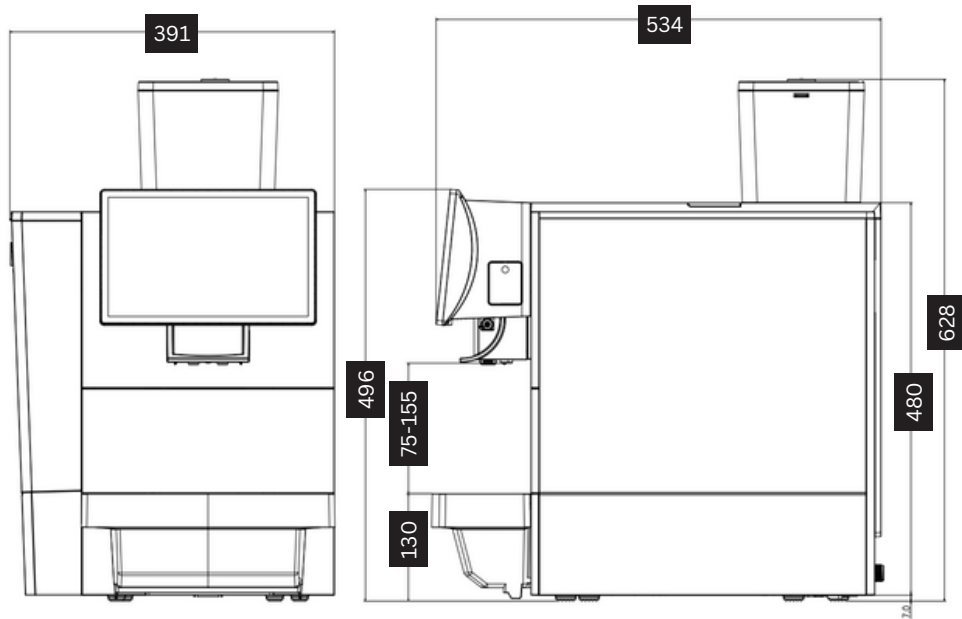


01582 237847



sales@bestir.uk

Specification	BM80 & BM100
Recommended Daily Output	100+ Cups per day
Recommended Max Cup Size	16oz
Bean Hopper Capacity	1000g
Decaf Function	Via grounds chute
Water Tank Capacity	2L (BM80) 6L (BM100)
Milk Supply	Via external cooler or bottle
Power Connection	230v / 2700w - 3100w
Dimensions (DxWxH)	559 x 304 x 628mm (BM80) 559 x 391 x 628mm (BM100)
Net Weight	18.8kg (BM80) 20.8kg (BM100)
Beverages	Espresso, Double Espresso, Ristretto, Americano, Cafe Creme, Cortado, Macchiato, Cafe Latte, Cappuccino, Flat White, Hot Milk, Hot Milk Foam, Hot Water
Screen Size	10 inch colour
Espresso Brewer Capacity	Up to 14g
Drip Tray Capacity	2L (or connect to mains drainage)
Grounds Waste Container Capacity	35 portions
Coffee Outlet (Height)	Adjustable 75mm -155mm
Thermoblock Quantity	Dual
Water Supply	Fixed water or internal tank



BM80

BM100

C2 COOLER

C4 FRIDGE

D291xW241xH361mm

D450xW220xH454mm



Options	
Colour Options	Silver or Silver-Black Trim
Built in Water Filter	Optional
Mains Water	Both Models
Mains Drainage	Optional
Knock Through Grounds	Optional
Accessories	Capacity
C4 Milk Fridge	4L
C2 Milk Cooler	2L



01582 237847



sales@bestir.uk